

7000 Premium 5 burner built In BBQ, stainless steel



Product Details

FEATURES

17MJ Cast Stainless Burners with Stainless Steel Vaporisers

11MJ Ceramic Rear Burner

Porcelain Enamel Cast Iron Hotplates and Split Grills

Halogen lights on splashback

LED lights on control panel dials

Flame Failure Gas Shutoff

Stainless steel elevated cooking rack

Full Width Oil and Fat Catchment Tray on Telescopic Rails

Double layered 304 grade stainless steel roasting hood with glass viewing window and integrated temperature gauge

Fully Welded 304 Grade Stainless Steel Firebox

Quartz One Start Ignition System

BENEFITS

DURABLE, FLEXIBLE AND EFFICIENT

With cast stainless burners and stainless-steel vaporisers, you have one of the most durable, flexible and efficient cooking systems available. Cast stainless heats quickly, maintains consistency and lasts a very long time. With 17MJ of power in each burner, sear steaks at high heat, or turn the power down, giving you the choice in what you cook and how you cook it. And the dual stainless-steel vaporisers efficiently disperse the flames across the grill and plate surfaces whilst reducing those flare ups.

EXPAND THE EXPERIENCE

Expand your BBQ experience and craft mouth-watering roasts and slow-cooked meals with the inclusion of a 11MJ rear ceramic burner. Combine the rear burner with the elevated cooking rack to keep your food warm without over cooking.

SPACIOUS, CUSTOMISABLE and DURABLE CAST IRON COOKTOP

Cook up a feast for many for years to come on our spacious and durable cooktop. Made from cast iron, the cooking surface doesn't chip and rust resistant, whilst heating quickly and evenly and holding its warmth for the best cooking experience. The split grill plates also means you can customise your cooking surface as you need it.

SEEING IN THE DARK

BBQ up a feast even at night with the helpful lighting features. Simply flick on the light switch when you are cooking. The back hood lights give you better visibility and the LED illuminated control dials show you what power level you are at so you cook that perfect meal.

THE PERFECT VIEW

Keep an eye on whats cooking without lifting the lid. Maintain heat using the built in temperature gauge or peer through the full width glass viewing window to check how those sausages or brisket are doing.

CLEAN UP WITH EASE

Designed for an easy clean-up, the hotplate has raised sides preventing grease and oil over-spilling, drawing it instead to the plate opening and into the replaceable foil catchment tin. The telescopic rails on the front, full width drip tray, makes it easy to pull out to replace the foil tin and clean the over-spill.

READY, START, COOK

Start cooking quickly and easily with the quartz one start. This first time, every time, easy start ignition system makes sparking up the BBQ a breeze.

PEACE OF MIND BBQ'ING

Protect yourself and your BBQ when lighting the burners or whilst you are cooking with the built-in flame failure safety device. If the BBQ fails to light or the burners blow out, flame failure immediately cuts off the fuel supply preventing dangerous gas build ups.

CONSTRUCTED TO LAST

Built to last over time, the burner box is built out of high grade stainless steel. With an exterior seam weld, moisture and grease don't get into the joints, preventing rusting



Specifications

PRODUCT PROFILE

Type of BBQ	Built in
Design Family	Signature
Finish	stainless steel
Stainless steel grade	304 grade
Stainless steel	304 grade
BBQ Frame Finish (BBQ Burner Box Finish)	Fully Welded Stainless Steel
Firebox material	stainless steel
Firebox construction	stainless steel
Domestic warranty details (yrs)	2

FEATURES

Control panel material	stainless steel
Controls of BBQ	Illuminated Knob
Position of controls	front mounted

SPECIFICATIONS

Type of Fuel	Gas
Gas connection set up	LPG
NG conversion kit available	yes

BURNERS

Number of burners	5
Burner material	cast stainless steel
Type of Ignition	Quartz Start

FEATURES

Laser Etched Graphics	yes
Hotplates	1
Hotplate finish	rust resistant enamelled cast iron
Hotplate size	18.6cm ²
Hotplate oil and fat management	raised sides,hotplate gap
Grills	2
Grill finish	rust resistant enamelled cast iron
Grill plate size	13.1cm ² x2
Elevated Cooking Rack	Yes
Elevated cooking rack number	2
Elevated cooking rack material	stainless steel
Elevated cooking rack dimensions	5.8cm ² x 2
Elevated cooking rack movement	lift up & remove,split
Roasting hood	Yes

BURNERS

Burner power (MJ/hr)	17
Total burner power (MJ/hr)	85
Flame failure	Yes
Vaporisers	Yes
Number of vaporisers	2
Vaporiser material	stainless steel
Side Burner	No
Rear burner material	ceramic tile
Rear burner power	11
Rear burner location	splashback

FEATURES

Roasting hood material	stainless steel (304 grade)
------------------------	-----------------------------

Roasting hood construction	Stainless Steel
----------------------------	-----------------

Features of hood	Window, Integrated temperature gauge
------------------	--------------------------------------

Roasting hood layers	2
----------------------	---

Roasting hood lights	Yes
----------------------	-----

Slimline Lid	No
--------------	----

GREASE & OIL MANAGEMENT

Catchment tray material	stainless steel
-------------------------	-----------------

Catchment tray size	full width
---------------------	------------

Catchment tray position	front
-------------------------	-------

Telescopic rails	Yes
------------------	-----

DIMENSIONS

PRODUCT

Total height (with lid closed) (mm)	555
-------------------------------------	-----

Total height (with lid open) (mm)	923
-----------------------------------	-----

Total height (mm)	923
-------------------	-----

Total width (mm)	973
------------------	-----

Total depth (mm)	628
------------------	-----

Total cooking area (cm ²)	4480
---------------------------------------	------



SHIPPING

weight (kg)	82
Shipping Weight (Kg)	82
Pack Dimensions Height (mm)	707
Pack Dimension Width (mm)	1122
Pack Dimension Depth (mm)	650

STUFFING QUANTITIES

20ft	48
40ft	128

BEEFEATER FILTER TYPE

BeefEater Filter Type	Built in
-----------------------	----------

BEEFEATER FILTER SERIES

BeefEater Filter Series	Signature
-------------------------	-----------

BEEFEATER FILTER FUEL TYPE

BeefEater Filter Fuel	Gas
-----------------------	-----

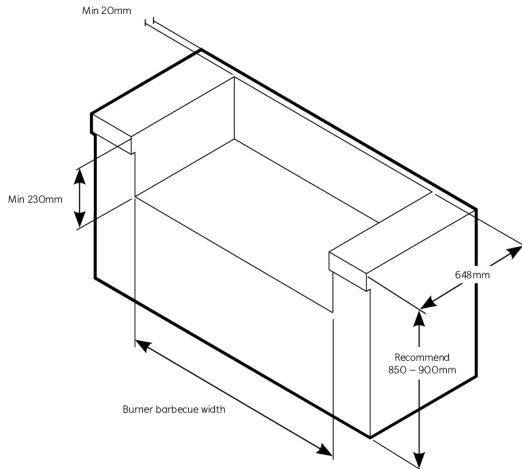
BEEFEATER FILTER NUMBER OF BURNERS

BeefEater Filter Number of Burners	5
------------------------------------	---

BEEFEATER FILTER FINISH

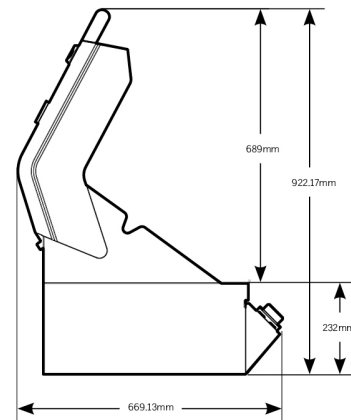
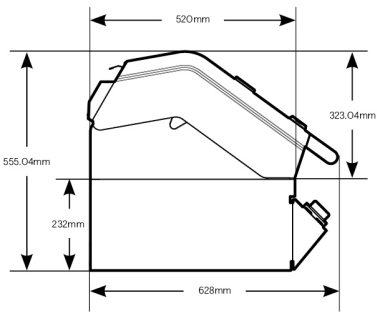
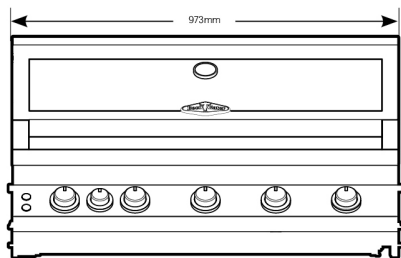
BeefEater Filter Finish	Stainless steel
-------------------------	-----------------

Dimensions



For built-in installations: islands, masonry, other non-combustible material structures.

To suit models: BBF7655SA	5 burner
Width	973mm
Height (lid closed)	555mm
Depth (includes 20mm rear ventilation clearance)	648mm
Clearance at rear (Min)	20mm
Minimum Clearance to Combustible Materials	450mm



*All measurements are in mm

Terms and Conditions

IMPORTANT

This is a guide of product dimensions only. For complete installation instructions, refer to the manual provided with product.

PRODUCT INFORMATION

The descriptors and illustrations in this publication apply to the specific products and models described as at the date of issue. Under our policy of continuous product development, product specifications may change without notice. Prospective purchasers should therefore check with their retailer to ensure this publication correctly describes the products that are being offered for sale. All information supplied is to be used for general reference purposes only and is on the understanding that Electrolux Home Products Pty Ltd (Australia) and Electrolux (NZ) Ltd (New Zealand) will not be liable for any loss, liability or damage of whatever kind arising as a result of reliance on such information. Colours of products illustrated are as close as printing limitations allow. Electrolux will at all times comply with its obligations pursuant to law including Trade Practices (Australian Consumer Law) Act and Regulations.

WARRANTY

This warranty only applies to Appliances purchased and used in Australia or New Zealand and used in normal domestic applications and is in addition to (and does not exclude, restrict, or modify in any way) any non-excludable statutory warranties in Australia or New Zealand. All warranties are subject to the conditions set out in the warranty card accompanying the product when purchased.

ELECTROLUX HOME PRODUCTS AUSTRALIA

telephone: 1300 363 640

fax: 1800 350 067

email: customercare@electrolux.com.au

web: www.electrolux.com.au

ELECTROLUX HOME PRODUCTS NEW ZEALAND

telephone: 09 573 2230

fax: 09 573 2221

email: customercare@electrolux.co.nz

web: www.electrolux.co.nz